

WE OPEN SPACE

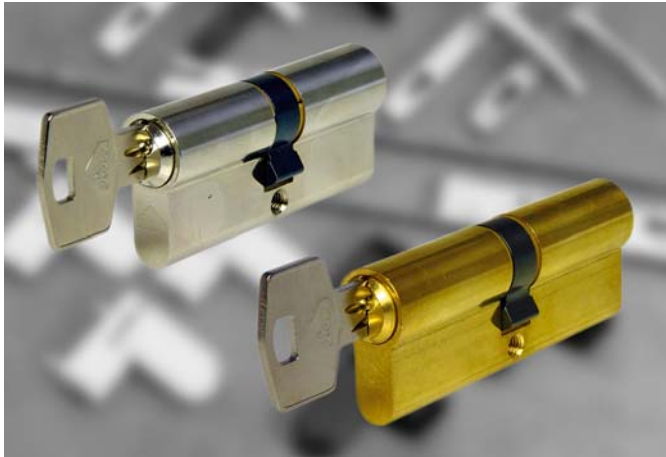


Profile Cylinders

Cylinders for the MV D doorlock range
Parts brochure

Profile Cylinders

Standard cylinders - Keyed individually



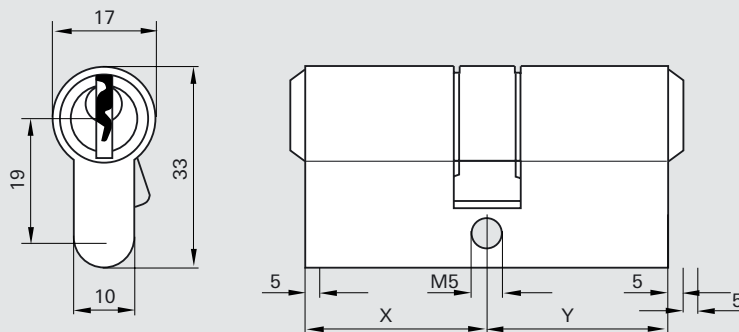
Product description:

- 6 pin system with 240,000 combinations
- Cylinder in accordance with **EN 1303**
- Supplied with 3 keys
- Large headed key for ease of use
- M5 x 45mm fitting screw enclosed
- Packaging units: Inner box 24, outer box 96

The required length of the cylinder depends on the door thickness, the position of the lock and the depth of the handle back plate.

Nickel			Brass		
Size (mm)	Weight (gm)	Part Number	Size (mm)	Weight (gm)	Part Number
35 / 35	249.7	349572	35 / 35	249.7	349621
35 / 40	250.0	349573	35 / 45	282.5	349623
35 / 45	282.5	349574	35 / 50	295.8	349624
35 / 50	295.8	349605	40 / 40	281.5	349626
40 / 40	281.5	349607	40 / 45	281.5	349627
40 / 45	281.5	349608	40 / 50	312.2	349628
40 / 50	312.2	349609	40 / 55	327.0	349629
40 / 55	327.0	349610	45 / 45	281.5	349630
45 / 45	281.5	349611	45 / 50	312.2	349631
45 / 50	312.2	349612	45 / 55	381.5	349632
45 / 55	281.5	349613			
50 / 50	312.2	349614			
Cylinder key blank					349755

Technical Information



Standard cylinders - Keyed alike in pairs



Nickel

Size (mm)	Weight (gm)	Part Number
35 / 45	312.2	378914
40 / 40	312.2	378913
40 / 45	281.5	378945
40 / 50	281.5	378947
40 / 55	281.5	378840
45 / 45	327.0	378946
45 / 50	282.5	378948
45 / 55	281.5	378949

Brass

Size (mm)	Weight (gm)	Part Number
40 / 55	281.5	382920
45 / 55	281.5	457462

Cylinder key blank

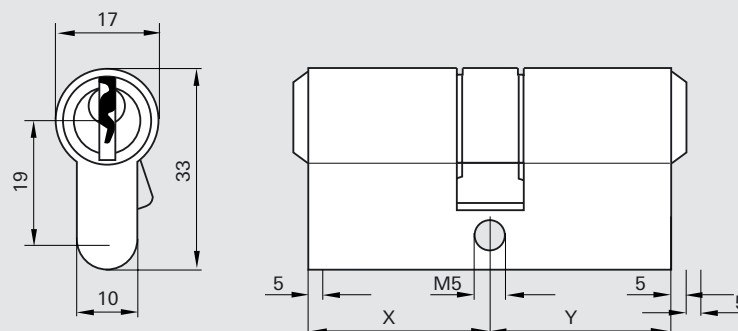
349755

Product description:

- A single unit contains two cylinders and six keys, all of which are identical.
- 6 pin system with 240,000 combinations
- Cylinder in accordance with **EN 1303**
- Large headed key for ease of use
- M5 x 45mm fitting screw enclosed
- Packaging units: Inner box 12, outer box 48

The required length of the cylinder depends on the door thickness, the position of the lock and the depth of the handle back plate.

Technical Information



BS EN 1303 specification explained

The European standard specifies cylinders according to a seven-digit code system. You can find this table on the end of the Roto cylinder package:

1	2	3	4	5	6	7
1	6	-	-	-	1	5

The digits 1-7 along the top row are the categories. Underneath each is a number indicating the grade attained by the Roto cylinder. These are:

1. Category of use. Grade 1: cylinder and key operate within temperature range -20°C to $+80^{\circ}\text{C}$.
2. Durability cycle testing. Grade 6: tested to 100,000 operation cycles. Includes key strength test.
3. Door mass. No requirement: no classification.
4. Fire resistance. No requirement.
5. Safety. No requirement: no classification.
6. Corrosion resistance. Grade 1: salt spray tests to BS EN 1670:1998 Grade 3.
7. Security. Grade 5: test requirements as follows:
 - Minimum number of effective differs: 100,000.
 - Minimum number of movable retainers: 6.
 - Direct coding on key: None.
 - Resistance to drilling: 5 – 10 mins.
 - Resistance to attack by chisel: 40 blows.
 - Resistance to extraction: 15 kN.
 - Torque resistance: 30 Nm.

RFGB 136-4
We reserve the right to technical changes without notice.

Issue: August 2006
©Roto Frank Ltd



Roto Frank Ltd
Swift Point • Rugby • Warwickshire • CV21 1QH
Telephone: 01788 558600 • Facsimilie: 01788 558605
E-Mail: uk_sales@roto-frank.com • Internet: www.roto-frank.co.uk