

F VENT

THROUGH FRAME 'CLIP FIT' WINDOW VENTILATOR

FEATURES & BENEFITS

Aesthetically pleasing ventilator designed to have minimal visual impact when installed

Available in 2500mm² and 1250mm² equivalent area models for Building Regulation compliance

10 or 12 mm rout options offering flexibility for existing rout machine set up

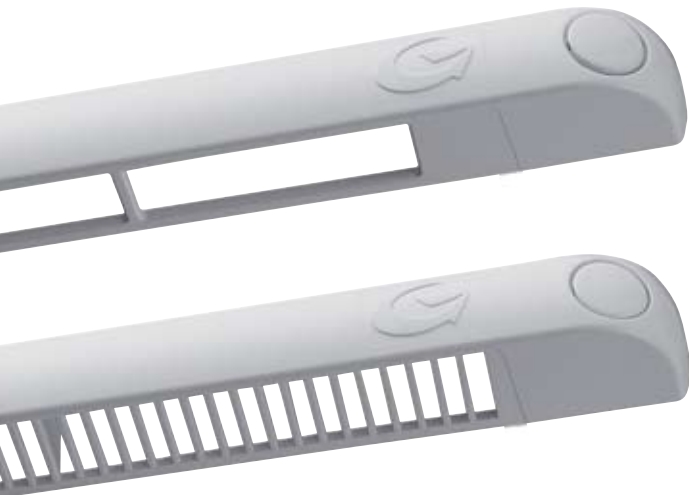
Bottom operation, easily identifiable for occupant control

Clip fit option reduces installation time on-site and in production

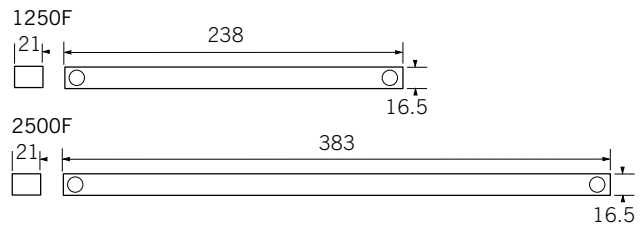
Traditional screw fix installation option also available on same model

Available in a range of colours to suit a variety of window profiles including uPVC, timber and wood effect finishes

Equivalent area performance visibly marked for Building Control inspection



PHYSICAL SPECIFICATION (mm)



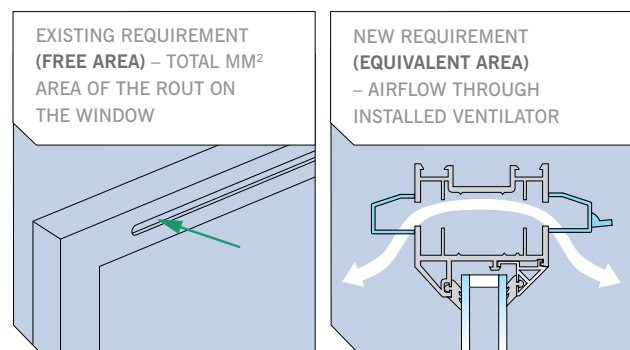
CLIP FIT



The F Vent is available with a clip fit installation option which offers valuable installation savings in production and on site. The clip has been designed to fit securely to a range of profile depths and is provided already installed in the ventilator body.

EQUIVALENT AREA

Equivalent Area now replaces Free Area for the measurement of trickle ventilators under Part F for both new build and refurbishment applications.



PRODUCT OVERVIEW

Model	Configuration	Equivalent Area (mm ²)	Dimensions (mm) (length x height x depth)	Slot Sizes (mm)				Control Options	Colour Options		
				Length	Central Gap	Length	Rout Height				
1250FB	Inner Unit & Outer Canopy	1362	238 x 16.5 x 21	192	10 or	194	12	B	W, BW, B, T, WIBO, WITO		
2500FB	Inner Unit & Outer Canopy	2583	383 x 16.5 x 21	163.5	10	163.5	10 or 164.5	10 164.5	12	B	W, BW, B, T, WIBO, WITO

Controls: B - Bottom. Colours: W - White, B - Brown, T - Tan, BW - Brilliant White, WIBO - White Inner Brown Outer, WITO - White Inner Tan Outer.

PERFORMANCE

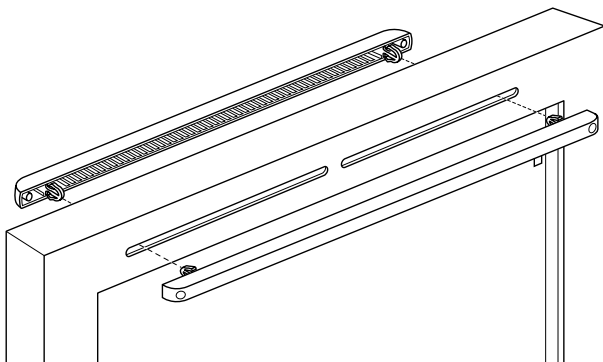
Tested in accordance with BS EN 13141-1 2004 Ventilation for buildings

Air flow rate/Pressure tests		
Model	Slot width (mm)	Equivalent Area (mm ²)
1250FB	10	1362
	12	1362
2500FB	10	2583
	12	2634

Air tightness, Vent closed		
Model	Positive Pressure Application	Corrected Volume Air Flow Rate at 50Pa (l/s)
1250FB	To outer face	0.00
	To inner face	0.10
2500FB	To outer face	0.15
	To inner face	0.10

Watertightness	
Model	Pressure Limit of Watertightness (Pa)
1250FB	750
2500FB	600

INSTALLATION



Instructions:

Select 10 or 12mm rout for fixing. Clip fit or screw fix to frame and push fit end caps.

To ensure secure clip fit installation as product has been designed, follow routing instructions printed on packaging sleeve.

BUILDING REGULATIONS

WORK ON EXISTING BUILDINGS

DWELLINGS – EQUIVALENT AREA
 HABITABLE ROOMS 5000mm²
 NON HABITABLE ROOMS 2500mm²

FOR THE ADDITION OF HABITABLE AND NON HABITABLE ROOMS, BUILDINGS OTHER DWELLINGS AND CONSERVATORIES, PLEASE CONSULT ADF 2006 OR WWW.PARTF.COM

NEW DWELLINGS

TRICKLE VENTILATORS ARE INSTALLED AS PART OF AN INTEGRATED VENTILATION SYSTEM, COMPRISING MECHANICAL AND BACKGROUND PRODUCTS. PLEASE CONSULT ADF 2006 FOR DWELLING CALCULATIONS. BACKGROUND VENTILATORS CAN BE USED IN CONJUNCTION WITH:

SYSTEM 1:

BACKGROUND VENTILATORS AND INTERMITTENT EXTRACT FANS

SYSTEM 2:

PASSIVE STACK VENTILATION

SYSTEM 3:

CONTINUOUS MECHANICAL EXTRACT

- Tested to current British & European Standards
- Part F compliant



Greenwood Air Management Ltd

Greenwood House, Brookside Avenue, Rustington, West Sussex, BN16 3LF.
 Tel: (01903) 771021 Fax: (01903) 782398 Email: info@greenwood.co.uk
 Web: www.greenwood.co.uk or www.partf.com