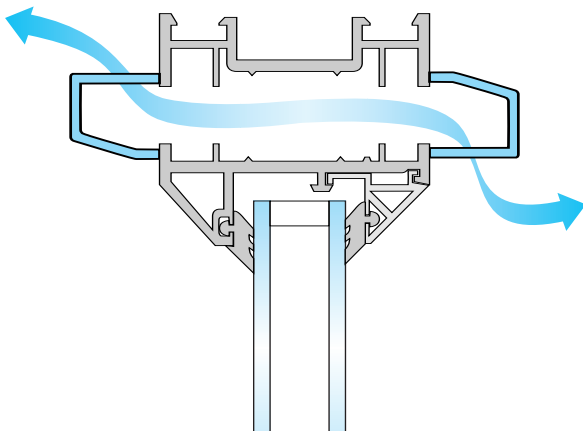


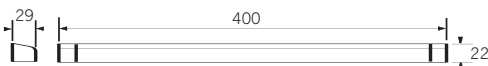
GB Vent

Through Frame Slotvent



Dimensions (mm)

5000GB



Through frame trickle ventilator

Designed for use in combustion environments

Provides permanent ventilation

Manufactured from PVCu

Conforms to BS 5440 Part 2: 2000

The GB Vent has been designed to meet the Building Regulations requirements for the permanent supply of combustion air and complies to BS 5440 Part 2: 2000.

Available in a 5000mm² model, the inner vent is inverted to deflect the supply of air upwards and the external unit is hooded to prevent weather ingress. The GB Vent can be used as a through-frame, glazed-in or over-frame ventilator.

Supplied as a complete package and manufactured from PVCu, the vent is designed for screw fixing and is available in white, brilliant white and brown.

Product Performance

BS 5440 Part 2: 2000 Specification for the installation of ventilation for gas appliances

In internal spaces with gas appliances, the provision of Combustion Air can be provided through 'Air Vents'.

A non-adjustable ventilator designed to allow the passage of air at all times. The ventilator must be fitted with apertures that prevent the entry of a 10mm diameter ball, but allow the entry of a 5mm diameter ball. No gauze or screen should be incorporated or fitted.

The ventilator should be sited at a high level or adjacent to the appliance and the free area equalling the sum of the individual areas apertures of the ventilator.

Greenwood's GB ventilator has been tested and conforms to BS 5440 Part 2: 2000 and requirements laid down in current Building Regulations.

Extract from BS 5440 Part 2: 2000 courtesy of British Standards Institute.

Models and Physical Specification

Model	Free Area (mm ²)	Dimensions (mm)	Slot Sizes (mm)	Control	Colour
5000GB	5000	400 x 22 x 29		Permanent	W, BW, B

Colour: White (W), Brilliant White (BW), Brown (B).

GB Vent

Through Frame Slotvent

Guide to Combustion Environment Requirements

Provision of the correct amount of air into combustion environments is crucial for the safety of occupants, as carbon monoxide gases need adequate air supply to escape.

The combination of factors is complex and it is impossible to give every detail, however the following definitions and recommendations should be useful:

Defined Appliances

Flueless appliances: designed for use without connection to a flue system e.g oven or stove.

Open flued: designed to be connected to an open flue such as a chimney e.g a gas fire fitted to a chimney breast.

Room sealed: Combustion air inlet and combustion product outlet are isolated from the room containing the appliance e.g a balanced flue boiler.

All such appliances may require combustion air provided by 'Air Vents' (room sealed appliances only when fitted within a compartment).

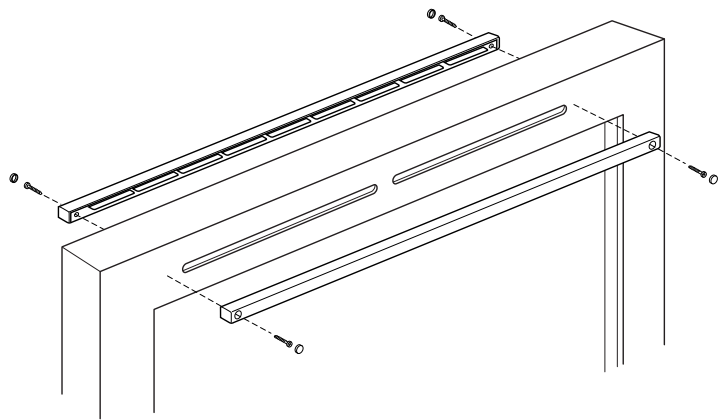
The amount of ventilation required is a function of the output of the given appliance. Prior to installation of any ventilation product, checks must be made in order to establish that the correct ventilation area is being provided. If in any doubt please contact our Technical Sales Department who will endeavour to provide assistance or contact a corgi-approved installer.

Maintenance

Greenwood recommends that any dust be simply removed from the internal mechanism without dismantling.

Installation Instructions

- 1 Rout slots through frame (see over page for slot sizes).
- 2 Screw fix internal and external units to frame, ensuring slots are covered.
- 3 Ensure gas regulation label is visible.



How to order

Please state:

- 1 **Model** – 5000GB
- 2 **Colour** – W (white)
- 3 **Quantity** – 150

5000GBW x 150

To order please contact Greenwood Customer Services on 01903 777130

Standard lead time: 3 working days. Overnight delivery available, subject to stock, additional fee will be charged. Order must be received at Greenwood by 1pm.

For further information, please contact Greenwood Technical Services on: 01903 777137

All information believed to be correct at the time of going to press. All goods are sold according to Greenwood Air Management Ltd's standard condition of sales that are available on request. All dimensions in millimetres unless otherwise shown. Greenwood Air Management reserves the right to change specifications and prices without prior notice. Registered trademarks and patents protect greenwood products.