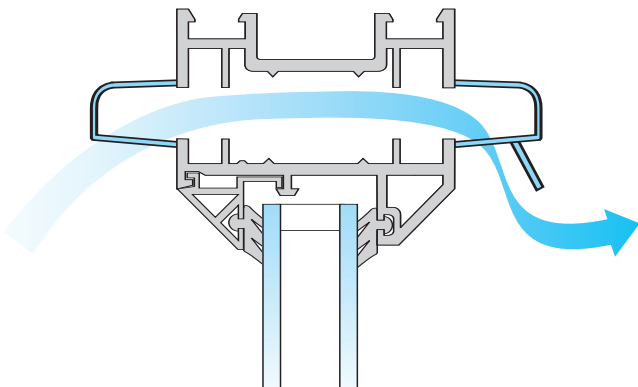
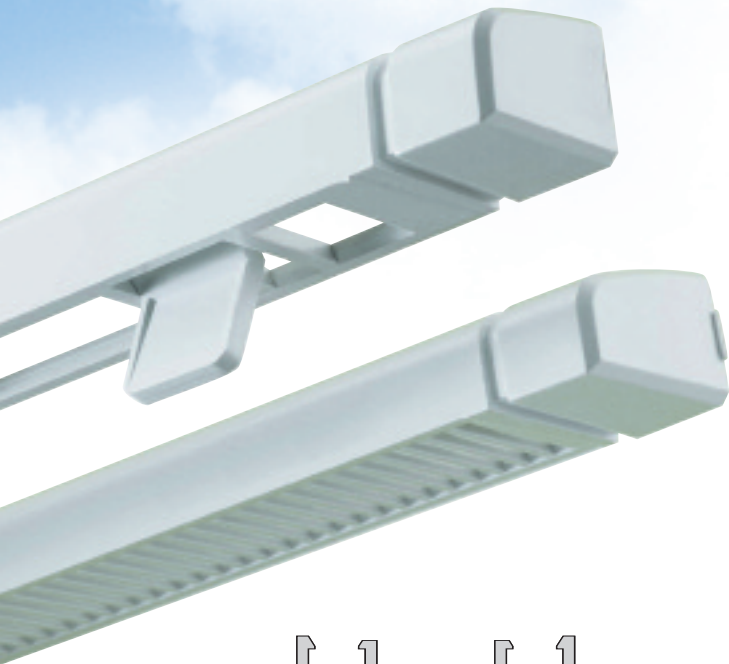


L Vent

Through Frame Slotvent



Through frame trickle ventilator

Suitable for use with narrow frame sections

Manufactured from PVCu

Provides up to 3200mm² equivalent area

Attractive low profile unobtrusive design

Greenwood's L Vent provides an unobtrusive ventilation solution in line with current Building Regulations and has been designed for use on low profile window frames with limited slot heights.

The internal mechanism is controlled via a bottom-mounted lever and the external canopy is supplied with an integral flyscreen. The hooded exterior cover prevents weather ingress. The L Vent is manufactured from rigid PVCu and is available in 2000 and 4000 models providing 1600 & 3200 equivalent area respectively and a choice of colours. The 2000L also offers a noise reduction of 37dB when in the open position thereby providing a high level of sound reduction.

Supplied as a complete unit, the L Vent can be simply screw fixed to the window and end caps are provided to snap into place to conceal fixing points.

Dimensions (mm)

2000L internal



4000L internal



Models and Physical Specification

Model	Equivalent Area (mm ²)	Dimensions (mm)	Slot Sizes (mm)	Control	Colour
2000L	1600	263 x 15 x 18	203 10	B	W, BW, B, WIBO
4000L	3200	485 x 15 x 18	222 20 222 10	B	W, BW, B, WIBO

Control: Bottom (B) Colour: White (W), Brilliant White (BW), Brown (B), White Inner Brown Outer (WIBO).
Other colours available on request.

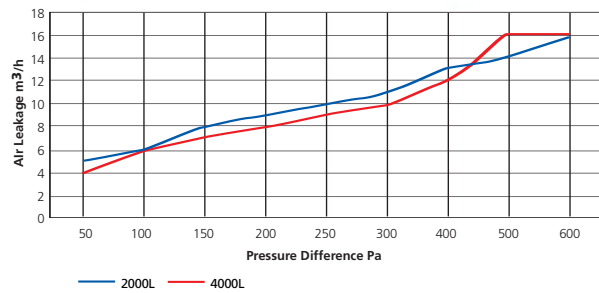
L Vent

Through Frame Slotvent

Product Performance

BS EN 1026: 2000 Air Permeability (m³/hr)

Ventilator	150Pa	300Pa	600Pa
2000L	8	11	16
4000L	7	10	16



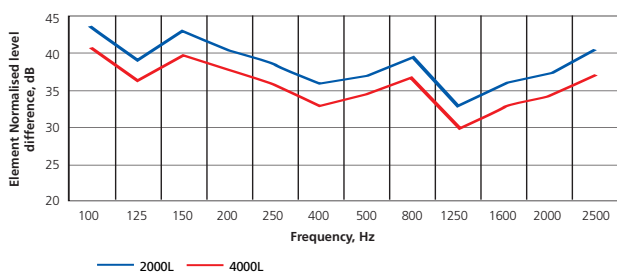
BS EN 1027:2000 Watertightness (Pa)

Ventilator	Pressure at no leakage	Class
2000L	500	E4
4000L	600	E4

BS EN ISO 717-1: 1997 Airborne Sound Insulation (dB)

BS EN ISO 2140-10: 1997

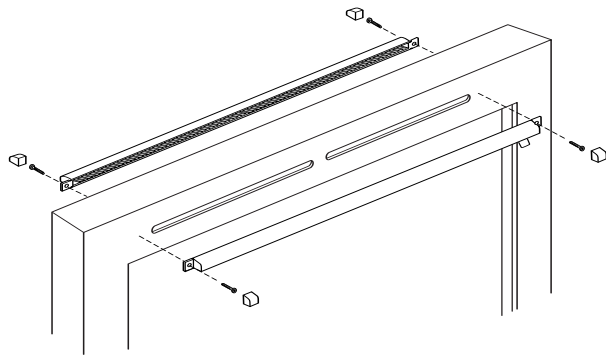
Ventilator	Open	Closed
2000L	38.3	45.7
4000L	35.3	40



All test information is provided by independent UKAS accredited test establishments. All products tested to current British and European standards.

Installation Instructions

- 1 Rout slots through frame as required (see over page for slot sizes).
- 2 Screw fix internal and external units to the frame, ensuring the slots are fully covered.
- 3 Push fit end caps to either end internally and externally and ensure operation via bottom mounted control.



Maintenance

Greenwood recommends that any dust be simply removed from the internal mechanism without dismantling.

How to Order

Please state:

- 1 **Model** – 4000L
- 2 **Control option** – B (Bottom)
- 3 **Colour** – WIBO (White Inner Brown Outer)
- 4 **Quantity** – 150

4000LBWIBO x 150

To order please contact Greenwood Customer Services on 01903 777130

Standard lead time: 3 working days. Overnight delivery available, subject to stock, additional fee will be charged. Order must be received at Greenwood by 1pm.

For further information, please contact Greenwood Technical Services on: 01903 777137

All information believed to be correct at the time of going to press. All goods are sold according to Greenwood Air Management Ltd's standard condition of sales that are available on request. All dimensions in millimetres unless otherwise shown. Greenwood Air Management reserves the right to change specifications and prices without prior notice. Registered trademarks and patents protect greenwood products.